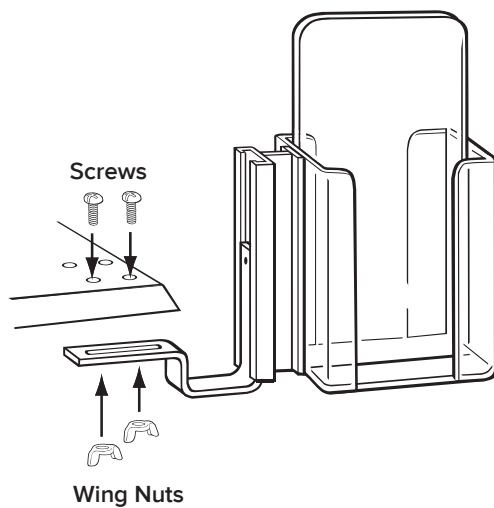


①

Slide channel of SuperGrip® Holder onto Bracket.

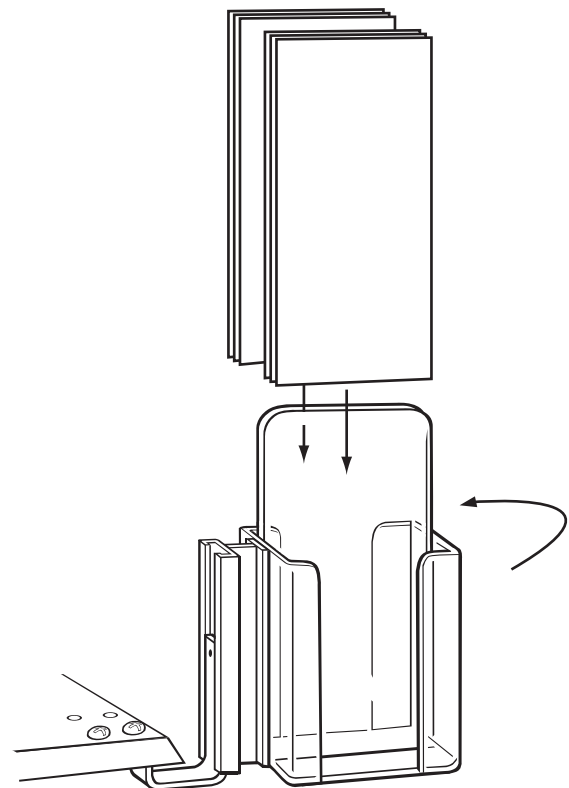
②

Insert fin of Brochure Holder into grippers of SuperGrip® Holder.



③

Align Bracket slot with holes of shelf.
Insert Screws into holes of shelf and Bracket.
Use wing nuts to tighten underneath shelf.



④

Check to see that holder will pivot when pushed. Load holder with brochures. Installation is complete.

20190410